



Summary of cloudnative

Kari Systä, 02.11.2021

1. Containerization

- **Docker container** image is a lightweight, standalone, executable package of software that includes everything needed to run an application.

2. CI/CD

3. Orchestration

- **Kubernetes** is the market-leading orchestration solution.

4. Observability & Analysis

- Monitoring, logging, and tracing

5. Service MESH

6. Networking and Policy

- Flexibility with authorization, admission control and data filtering

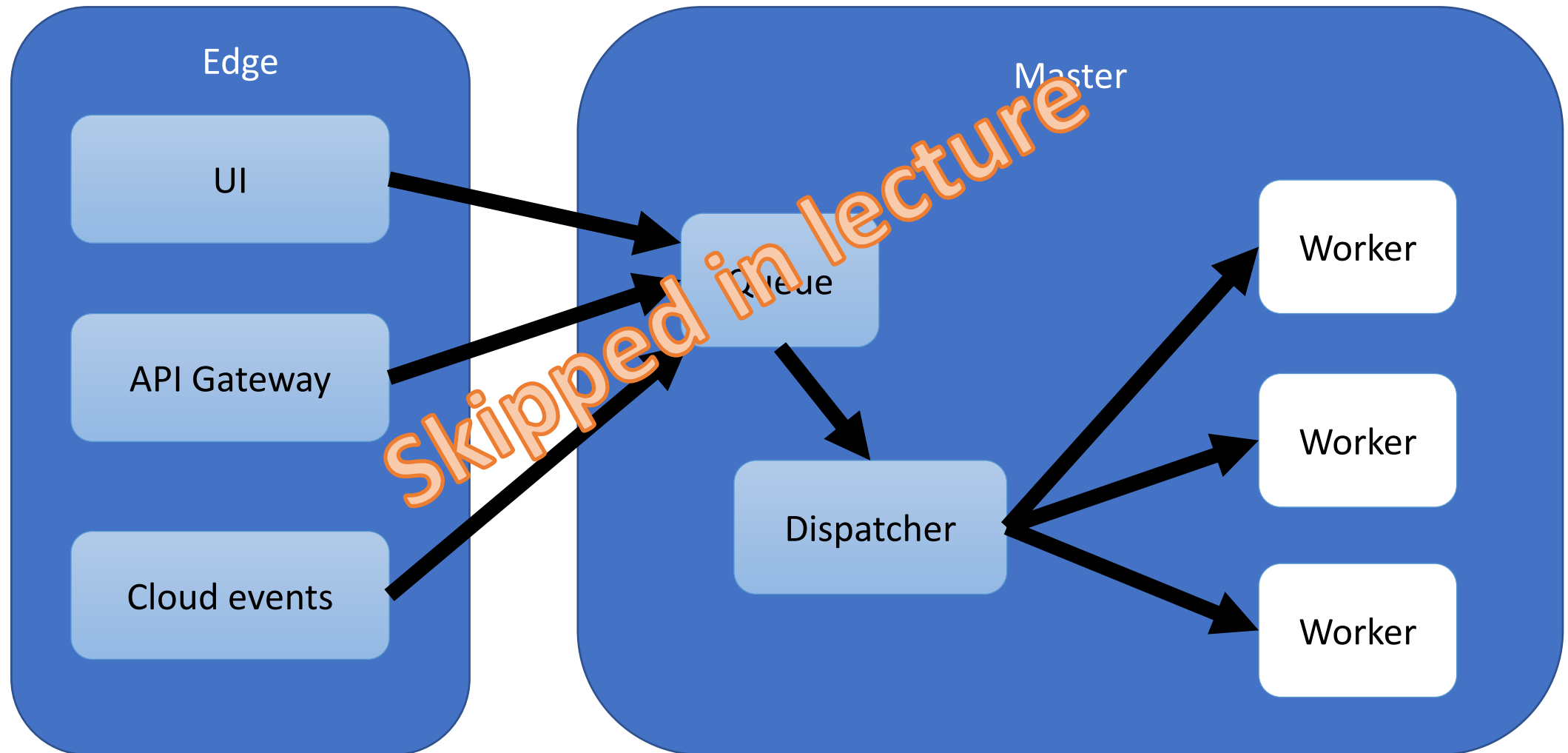
7. Distributed Database

- When you need more resiliency and scalability than you can get from a single database

8. Messaging

9. Container registry and runtimes

10. Software distribution



Microservices vs. Serverless/FaaS

(They are different – do not call serverless microservices)

- **Microservice**
 - Small services running in their own process and communicating with lightweight services
 - Can be stateful
- **Serverless / FaaS**
 - Short term execution triggered by a request, then closes down
 - For stateless computing

Some comparison

	Microservice	Serverless / FaaS
Bug hunting	Easier (but not easy)	Difficult
Infrastructure code	May be complex	Minimal or even non-existent
Scaling	Need to be implemented	Automatic
Performance	Good	Possible cold-start issues
Running cost	May include cost of idle time	Pay only per use

Projects ▾ Groups ▾ Activity Milestones Snippets ▾ Search or jump to...

Faculty of Information Technology and Communication Sciences > ... > TIE-23536 > plussa-syky2019 > Pipelines

All **91** Pending **0** Running **0** Finished **91** Branches Tags Run Pipeline

Status	Pipeline	Triggerer	Commit	Stages	Duration	Time ago	Actions
passed	#10909 latest		release 4a643309 Saved modified emacs b...		00:01:02	3 days ago	
passed	#10908 latest		master 4a643309 Saved modified emacs b...		00:01:02	3 days ago	
passed	#10907		master 4e1301f7 fixed folder name in root ...		00:01:05	3 days ago	
passed	#8363		release a5954f38 Push deadline		00:00:57	2 weeks ago	
passed	#8362		release bd544248		00:00:56		

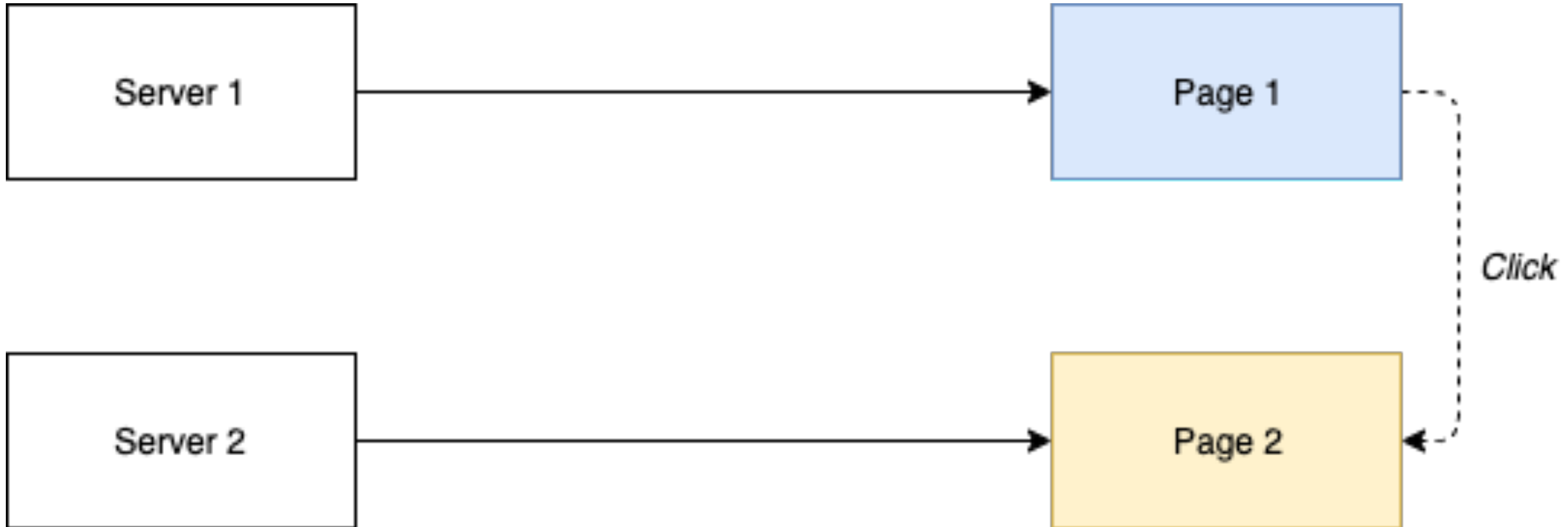
Kari Systä
@systa

- Run Pipeline
- Set status
- Profile
- Settings
- Sign out

Alternative architectures

(from <https://morioh.com/p/ee1b48c9de16>)

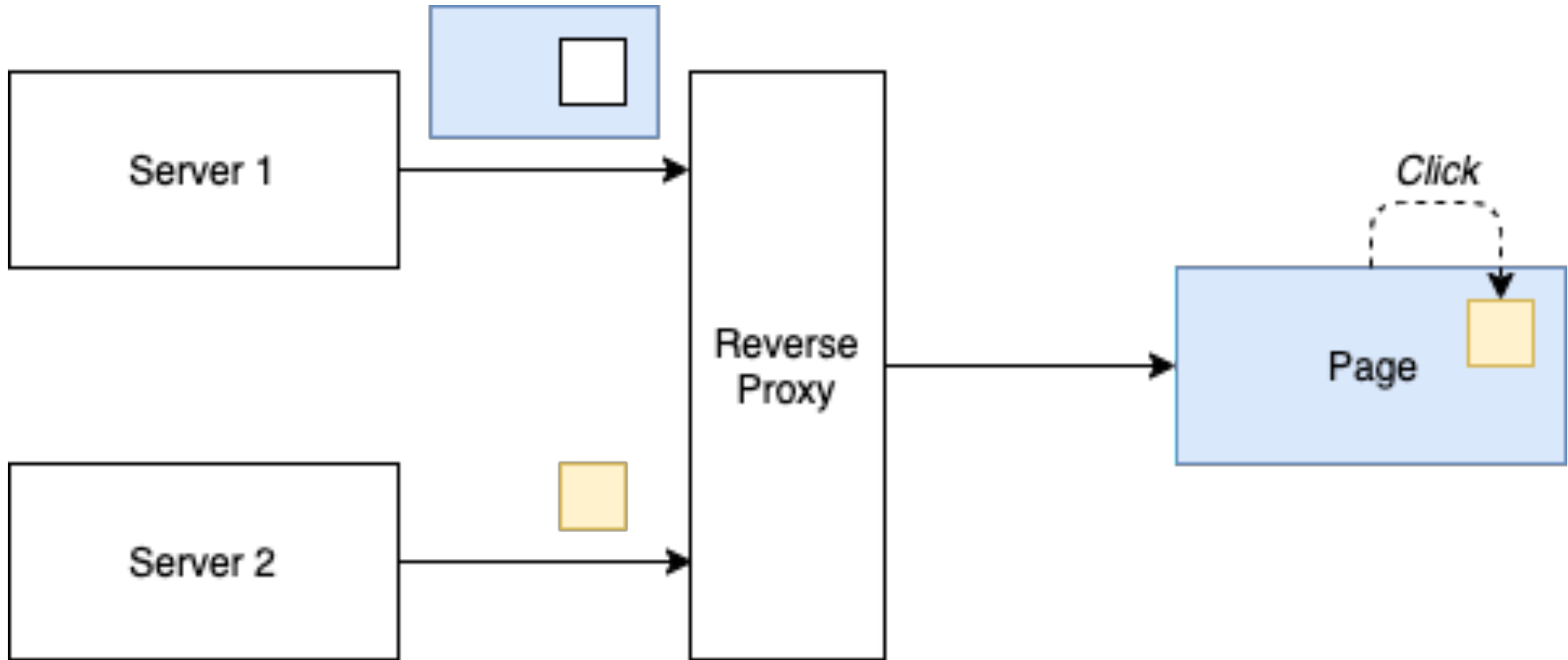
1. Web Approach



Alternative architectures

(from <https://morioh.com/p/ee1b48c9de16>)

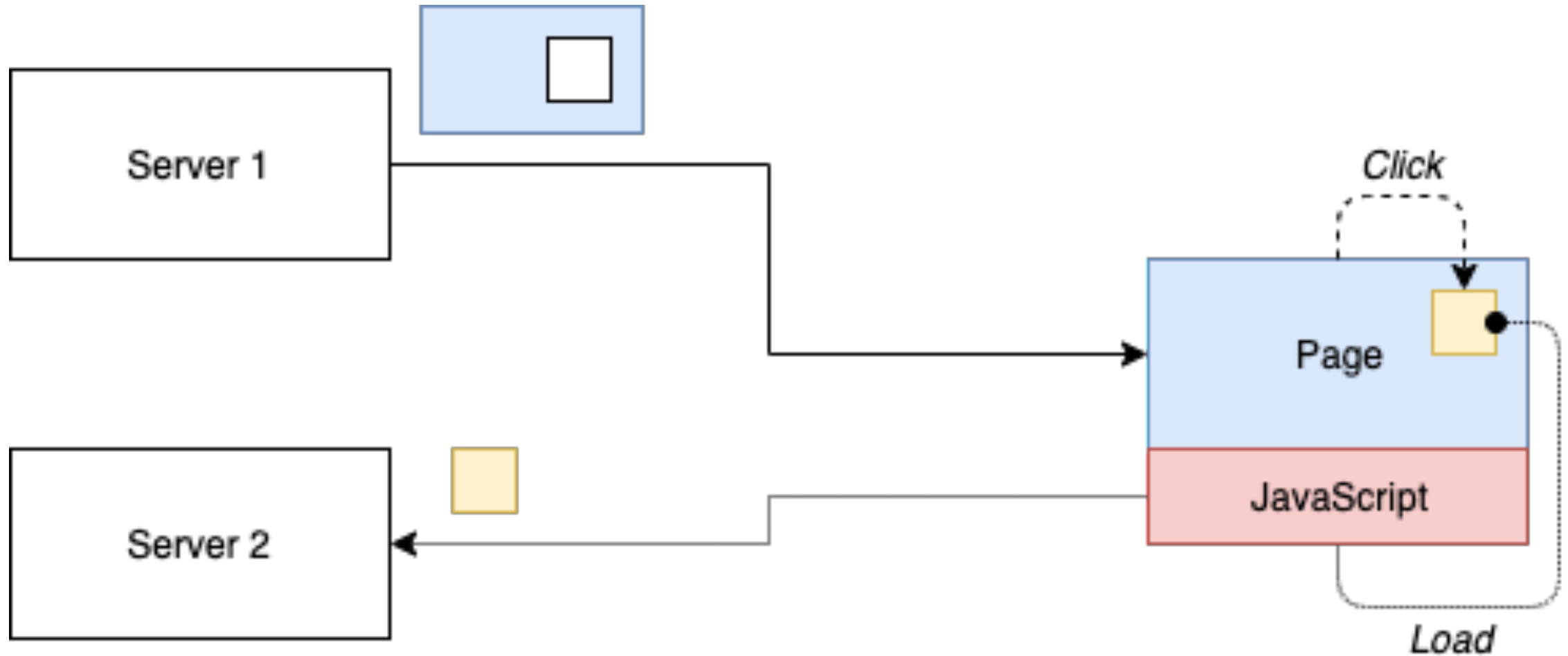
2. Server-side composition



Alternative architectures

(from <https://morioh.com/p/ee1b48c9de16>)

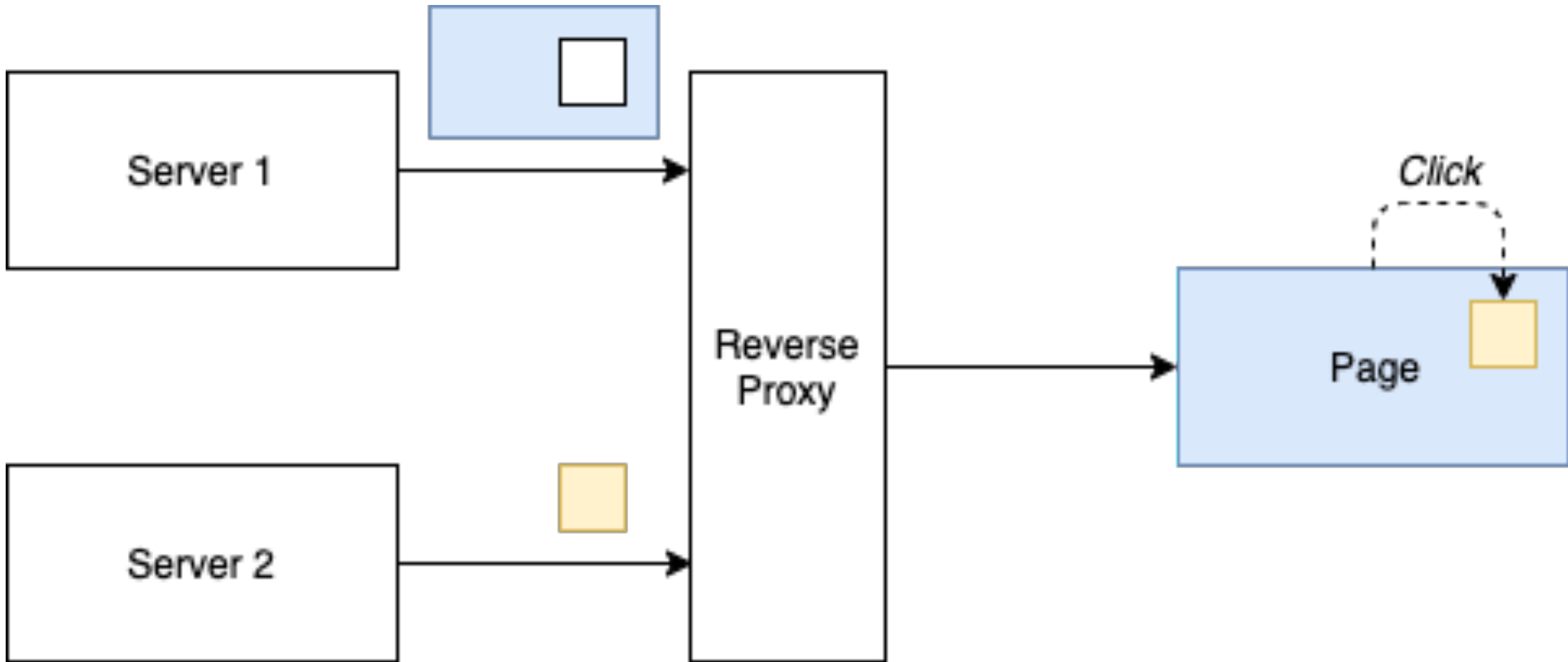
3. Client-side composition



Alternative architectures

(from <https://morioh.com/p/ee1b48c9de16>)

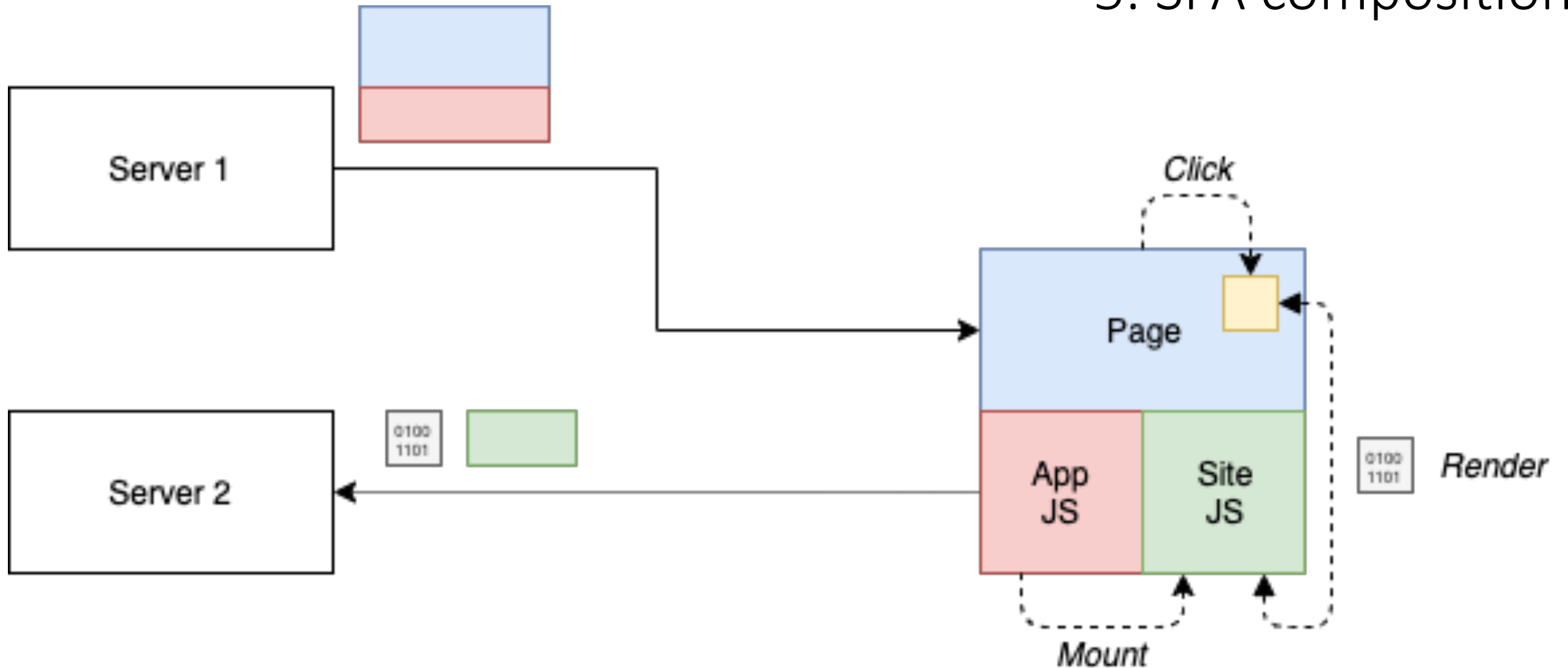
4. Client-side rendering



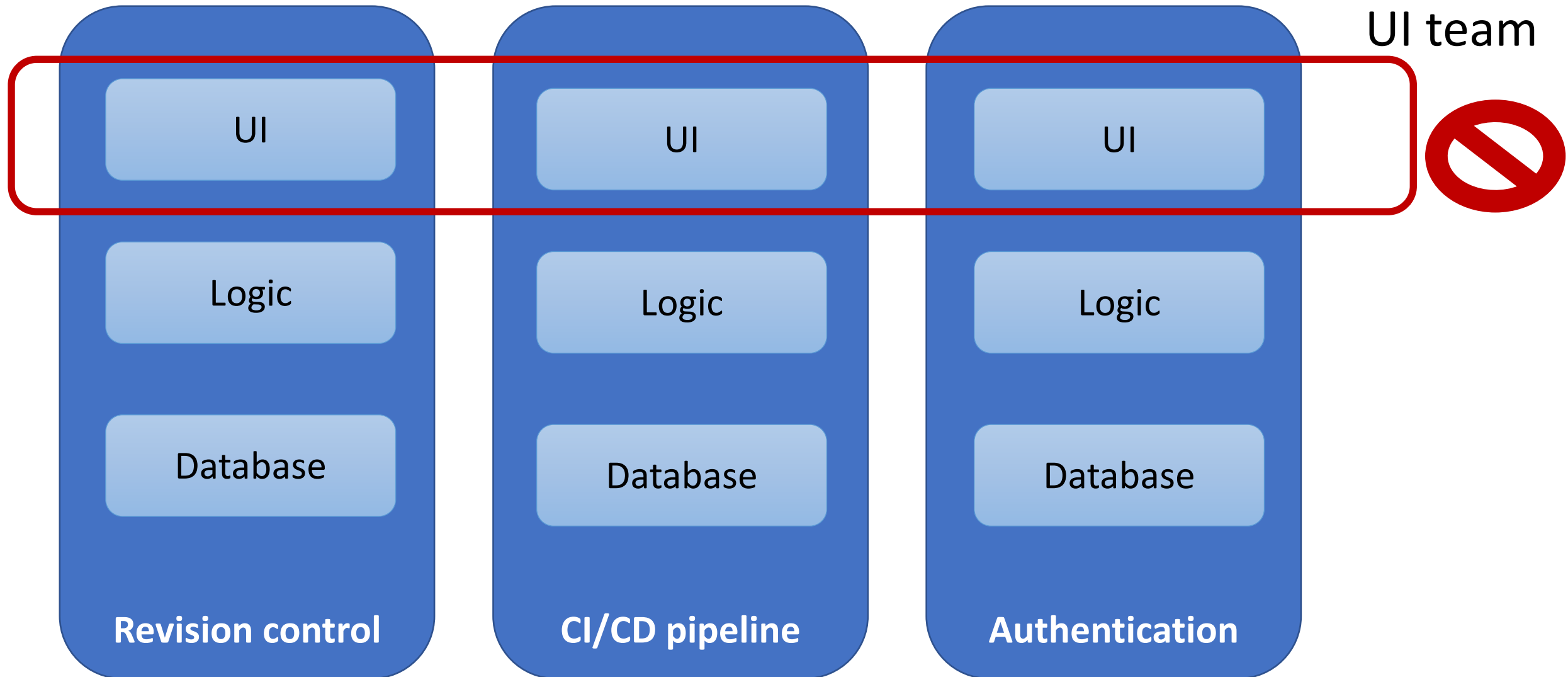
Alternative architectures

(from <https://morioh.com/p/ee1b48c9de16>)

5. SPA composition



Organization and process issues



Stateful vs stateless computation

- If a service has an internal state it is difficult to
 - Scale it
 - Move it to other server or other hosting system

=> Stateless Services are subject to cloud-specific optimizations
- The internal state may be
 - volatile or
 - non-volatile
 - ... in memory, file local to container,
- Serverless / FaaS

7R's of cloud Migration

Replace

with imilar or improved but SaaS

Reuse

in the new SaaS version

Refactor

towards cloud-native architecture

Replatform

by using cloud services

Rehost

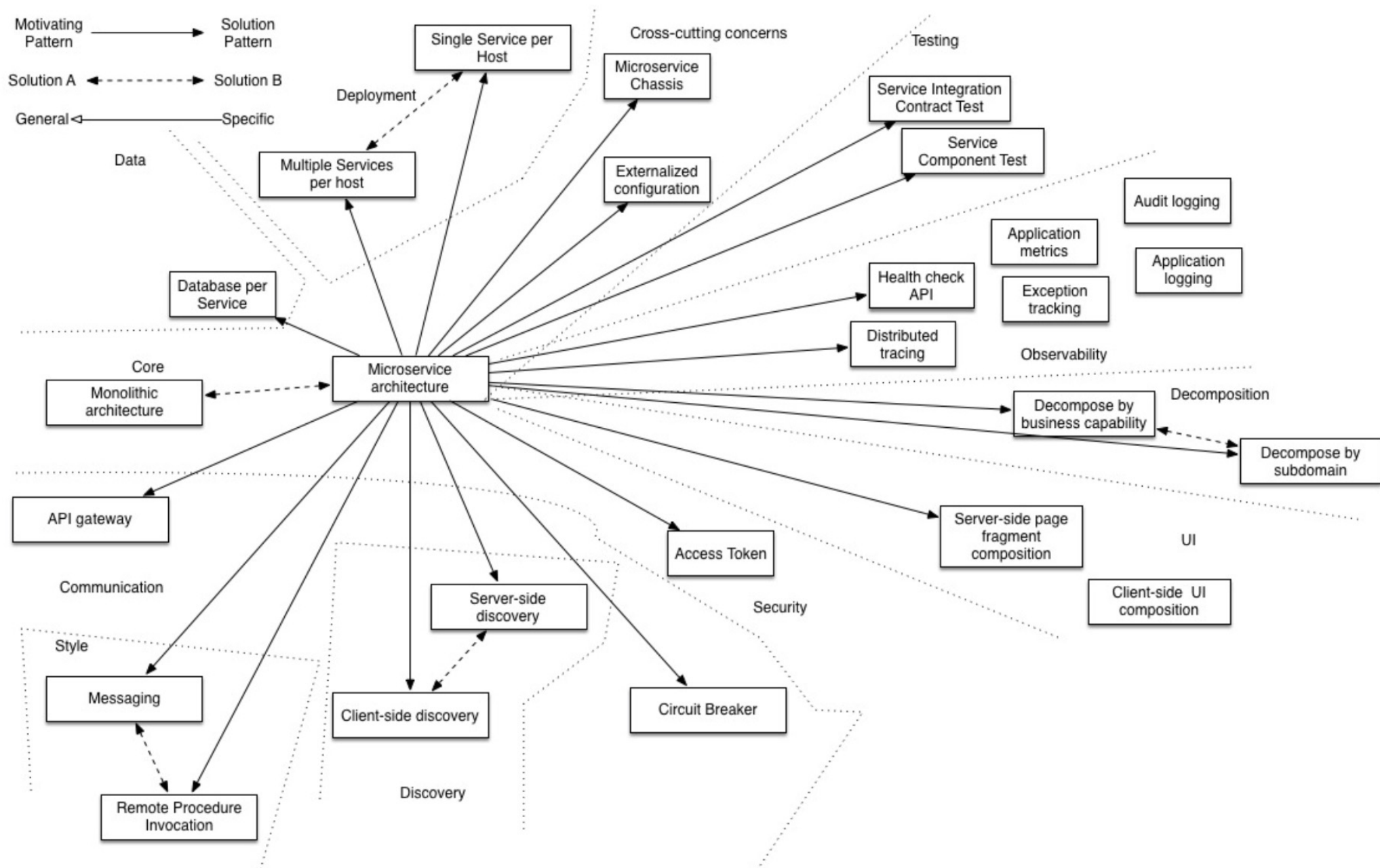
to a VM

Retain

Retire

<https://thenewstack.io/10-key-attributes-of-cloud-native-applications/>

- **Packaged as lightweight containers**
- **Developed with best-of-breed languages and frameworks**
- **Designed as loosely coupled microservices**
- **Centered around APIs for interaction and collaboration**
- **Architected with a clean separation of stateless and stateful services**
- **Isolated from server and operating system dependencies**
- **Deployed on self-service, elastic, cloud infrastructure**
- **Managed through agile DevOps processes**
- **Automated capabilities**
- **Defined, policy-driven resource allocation**



Nice video about microservices

- Netflix story (Mastering Chaos - A Netflix Guide to Microservices)
<<https://www.youtube.com/watch?v=CZ3wluvmHeM>>